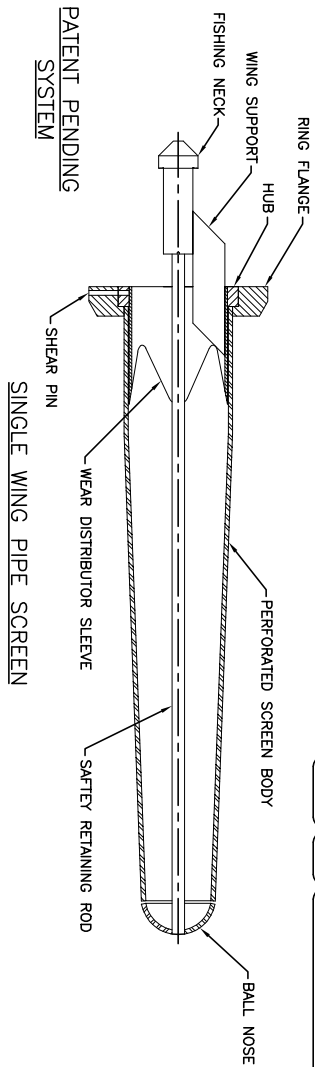


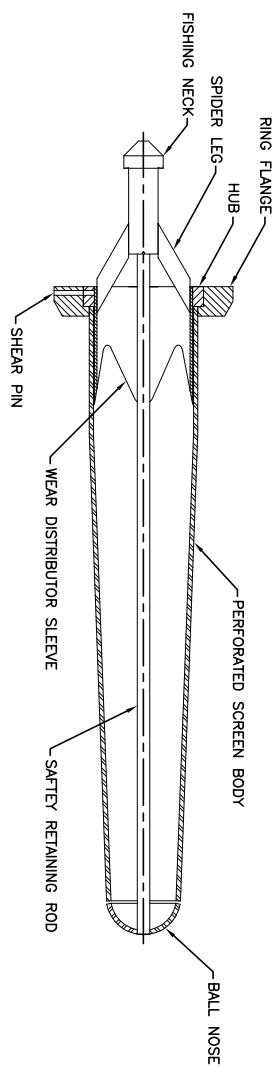
SMALL BODY DRILL PIPE SCREEN
RING FLANGES (4.5FH) (4FH) (3.5XH-3.5IF-4.5H90)



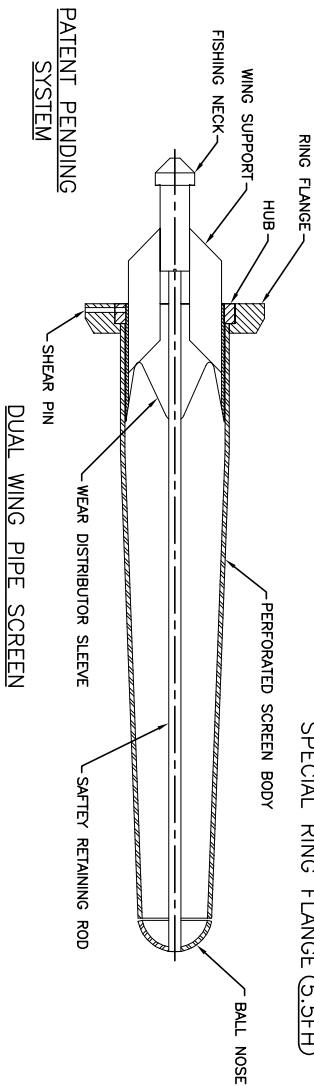
PATENT PENDING SYSTEM

SINGLE WING PIPE SCREEN

DFTS STANDARD PYRAMID TYPE - SPIDER LEG HEAD

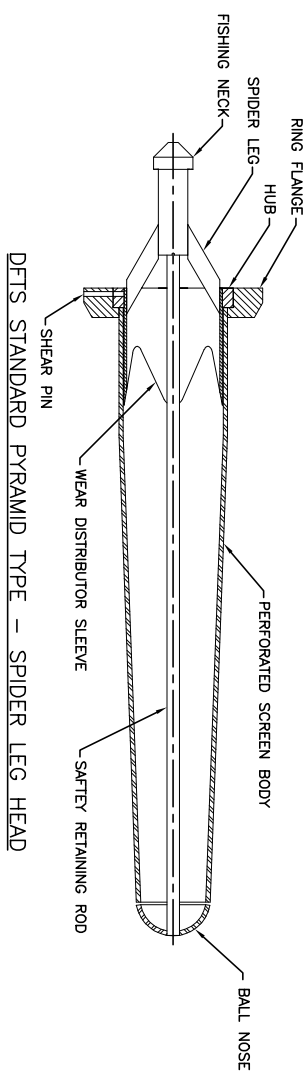


LARGE BODY DRILL PIPE SCREEN
RING FLANGES (5XH-4.5IF) (4.5XH-4F)
SPECIAL RING FLANGE (5.5FH)

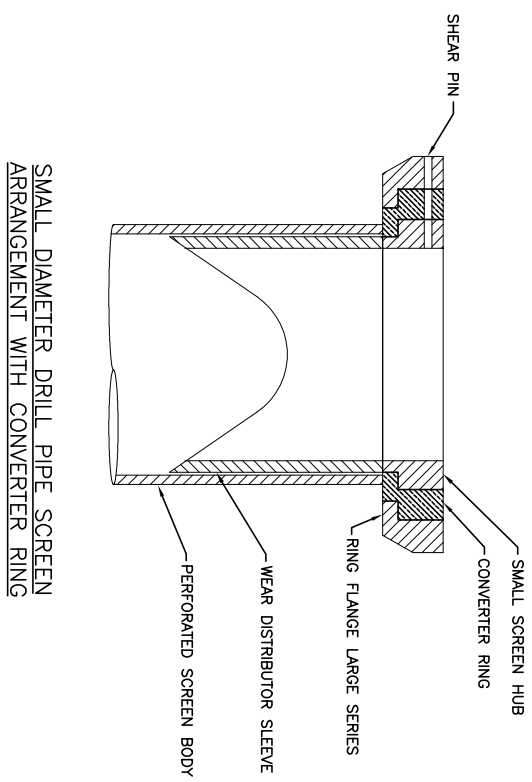


PATENT PENDING SYSTEM

DUAL WING PIPE SCREEN



DFTS STANDARD PYRAMID TYPE - SPIDER LEG HEAD



EXAMPLE

USING A CONVERTER RING ON THE SMALL BODY DRILL PIPE SCREEN ALLOWS THE INSTALLATION OF LARGE BODY RING FLANGES ONTO SMALL BODY SCREENS.

NOTE: USE LONG SHEAR PINS



DRILLING FLUIDS TREATMENT SYSTEMS, INC.
CALGARY CANADA